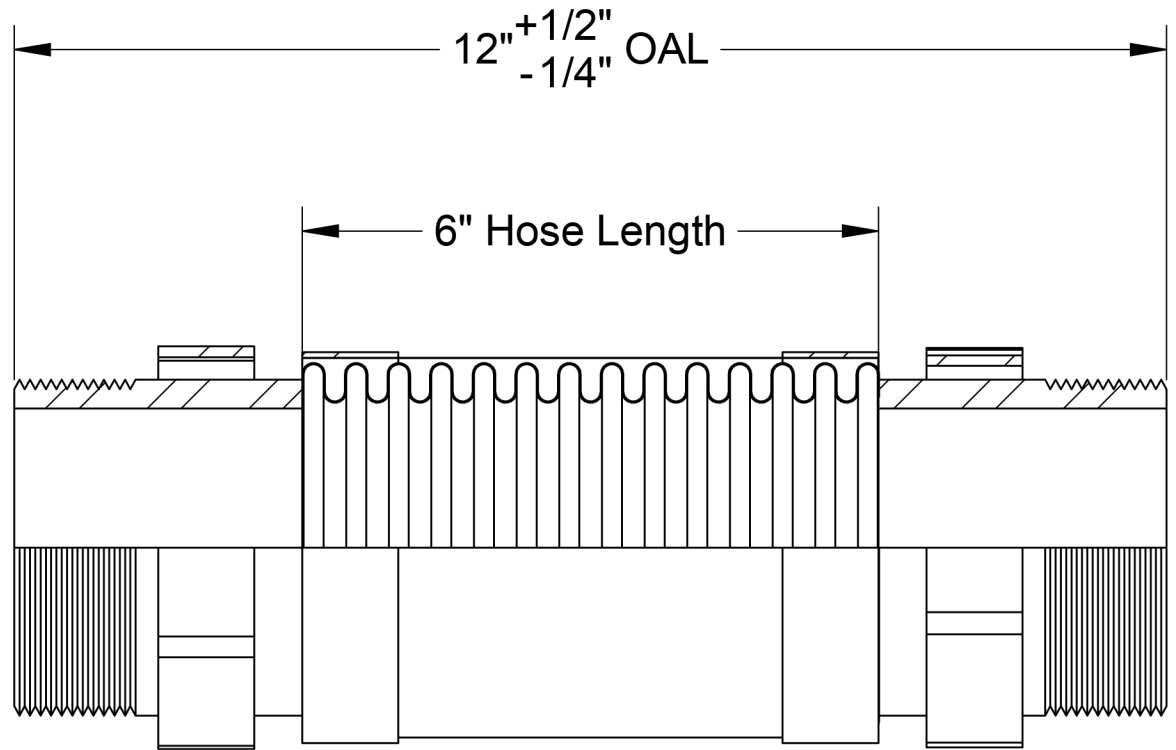


8 7 6 5 4 3 2 1

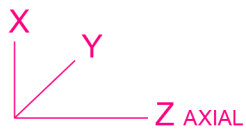
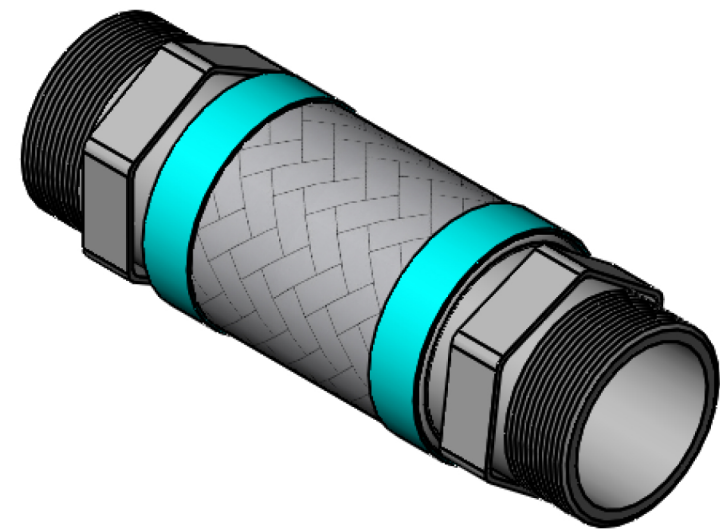
REVISIONS			
REV.	DESCRIPTION	DATE	APPROVED



D
C
B
A

D
C
B
A

ITEM #	QTY.	PART NUMBER	DESCRIPTION	MATERIAL	WEIGHT
1	1	HOSE	300 Series Stainless HYDROFORMED Corrugated Hose	Stainless Steel	0.63
2	1	BRAID	300 Series Stainless Steel	Stainless Steel	0.04
3	2	BRAID COLLAR	0.06" Thick	Stainless Steel	0.22
4	2	3" MALE	3" Male, 3"x8" Thread, 4" Hex	Carbon Steel	2.73



8 7 6 5 4 3 2 1

		HOSE MASTER Inc. 1233 East 222nd Street • Cleveland, Ohio 44117 (800) 221-2319 • Fax: (216) 481-7557 • www.hosemaster.com Locations: Cleveland • Houston		Registered to: ISO 9001 : 2000
		Customer: Hose Master Inc.		Prepared By: kannk
Projection:	Reference: Fire-Shield - 3" Male x 3" Male x 12" OAL	CALC. WEIGHT: 7 lbs.	Date: 9/24/2009	
Description: 3" ID x 12" OAL 300 Series Stainless HYDROFORMED Corrugated Hose covered by 300 Series Stainless Braid. UL Approved 3" Male Connectors				
Drawing #: FSMM0300x12			Rev.: -	SHEET 1 OF 1

A

A